

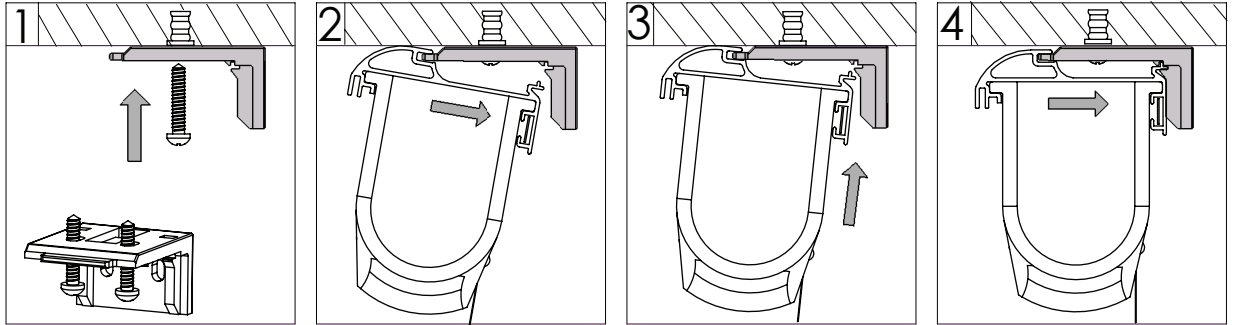
# FITTING INSTRUCTION

## ROLLER BLIND

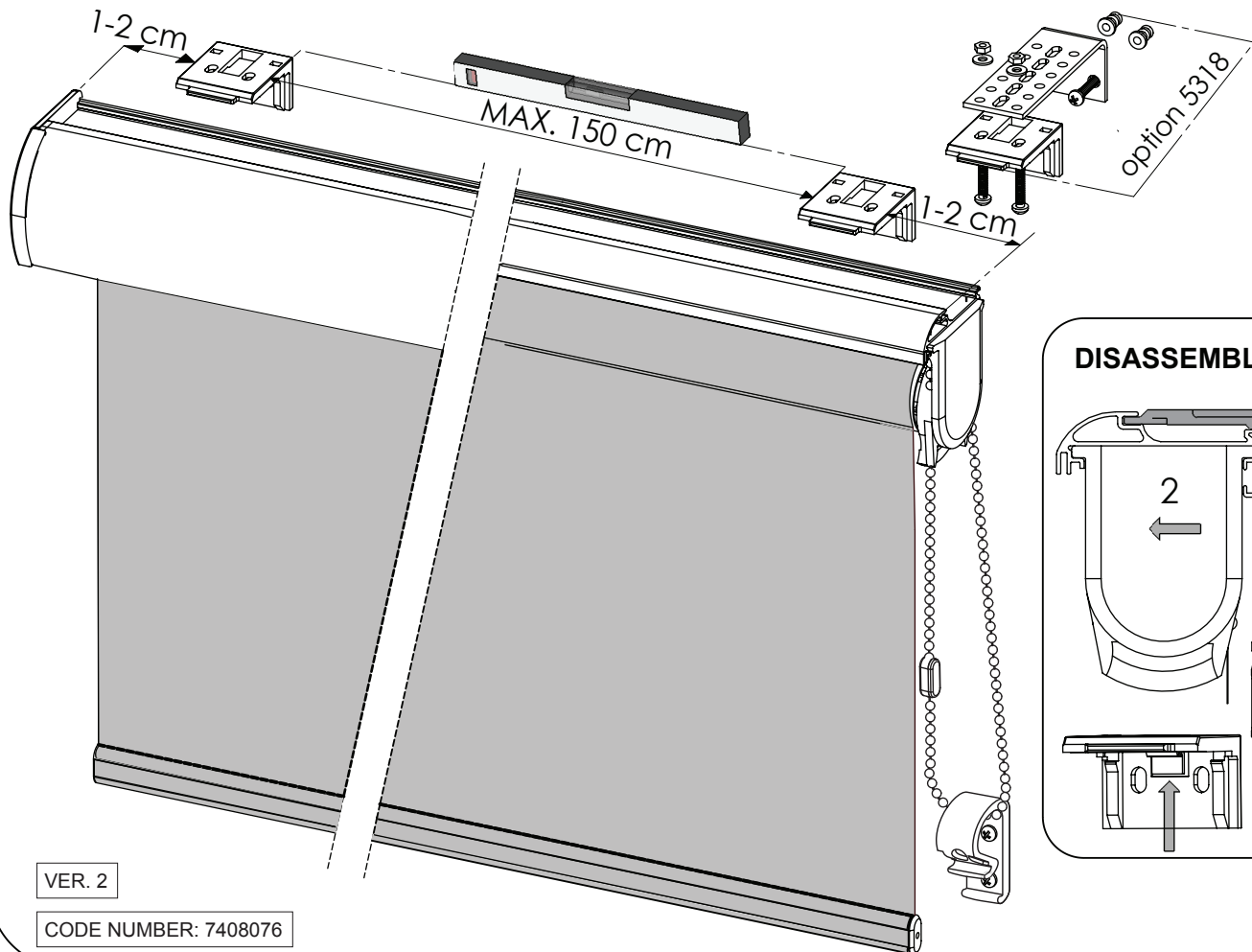
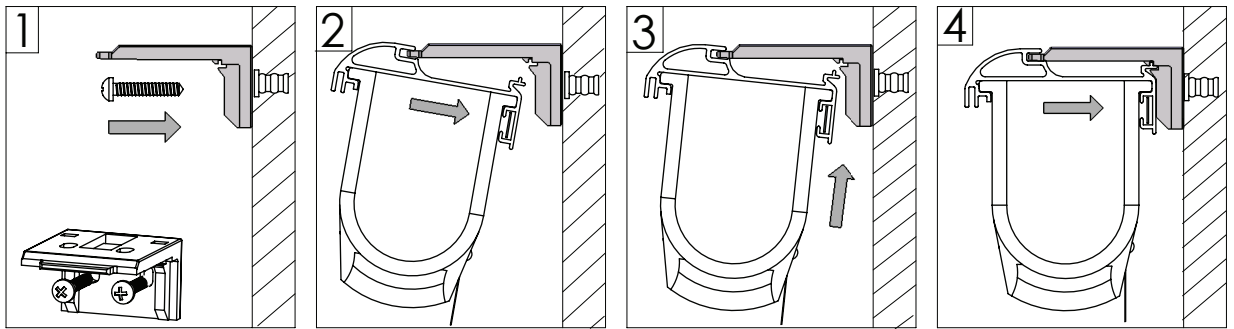
### V57/V58/V60/V62/V71

PRODUCT LINE
5220
5221
5222
5240
5314

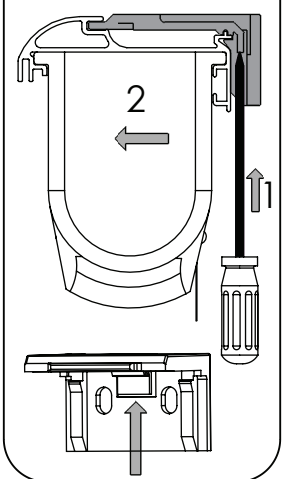
#### CEILING INSTALLATION



#### WALL INSTALLATION



#### DISASSEMBLE



VER. 2

CODE NUMBER: 7408076