

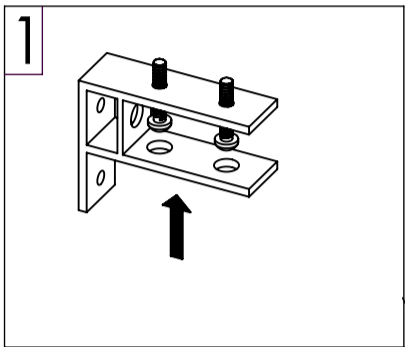
PRODUCT LINE  
1560  
1562  
1564

# FITTING INSTRUCTION

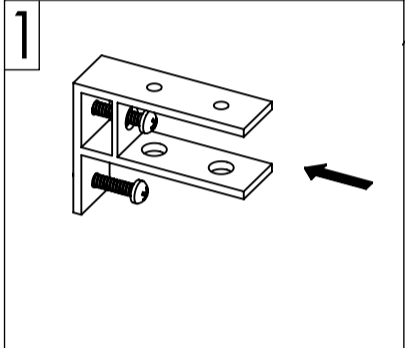
## VENETIAN BLIND CLASSIC

### V20

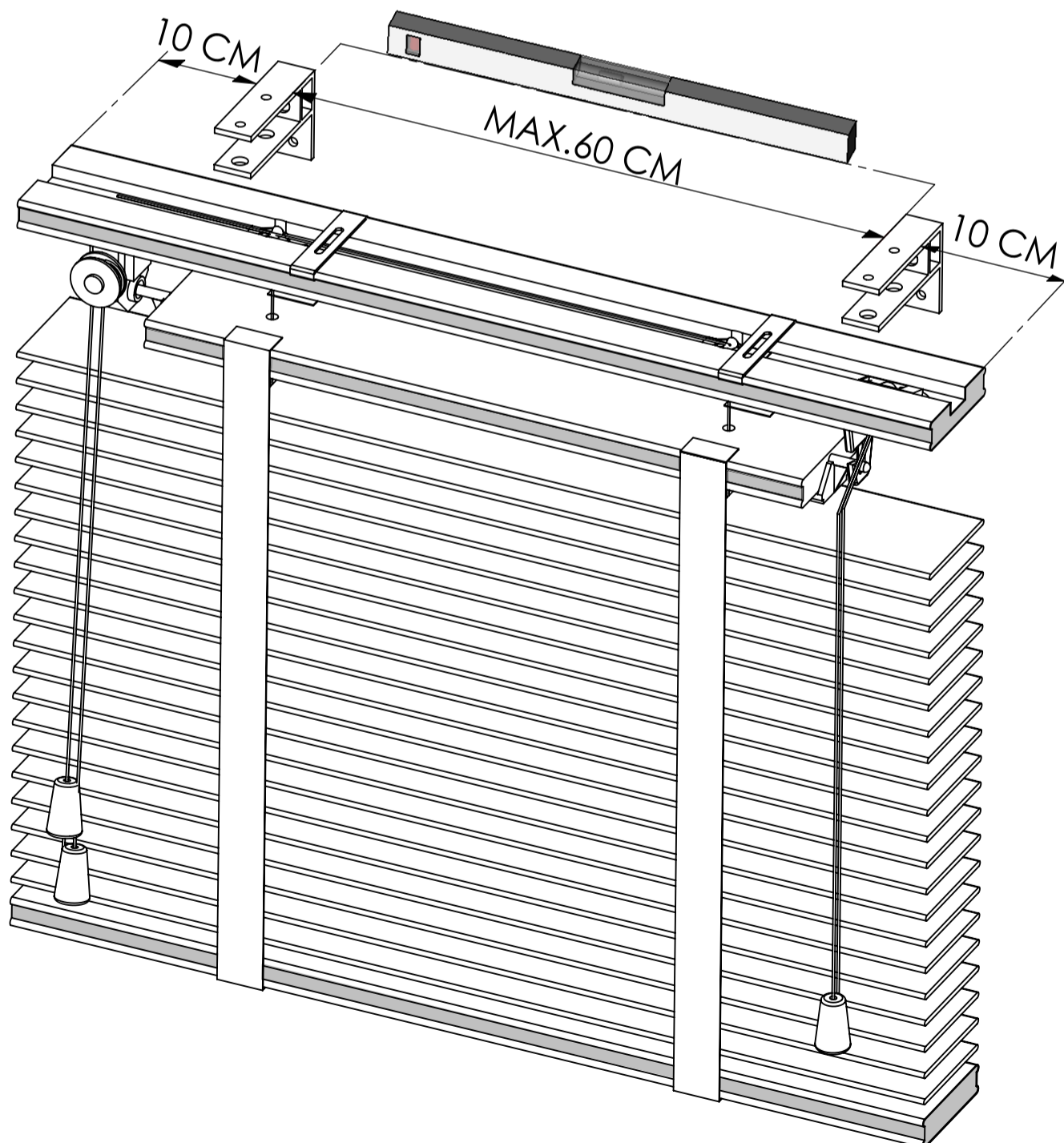
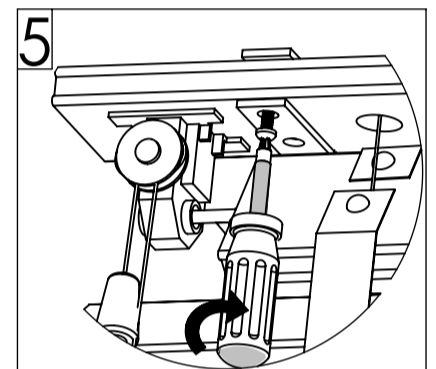
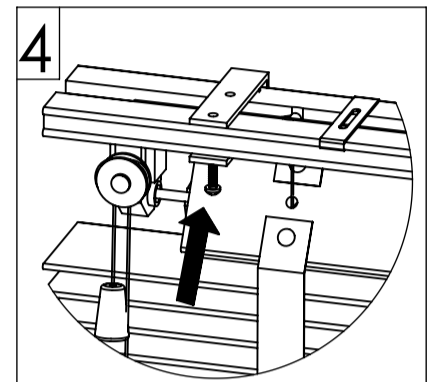
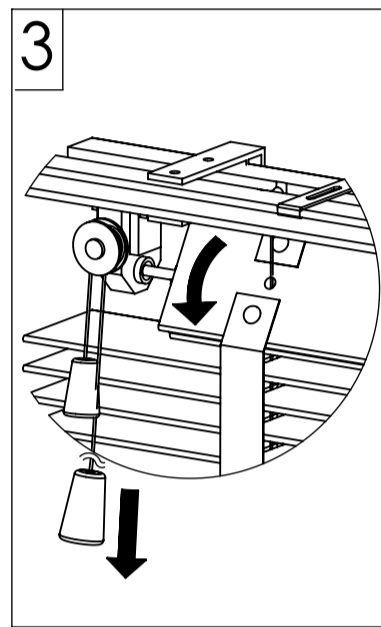
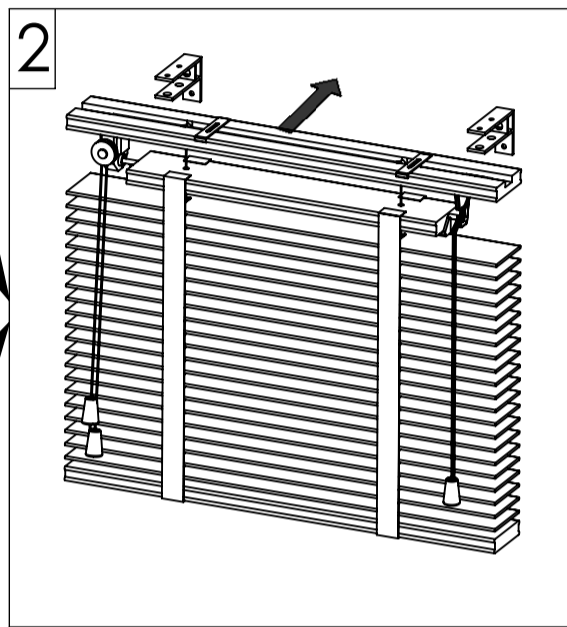
#### CEILING



#### WALL



#### ASSEMBLY



FIT 22