

FITTING INSTRUCTION

VENETIAN BLIND

V10/V13/V19 ALUMINIUM

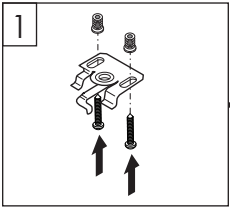
SWIVEL BRACKET

PRODUCT LINE

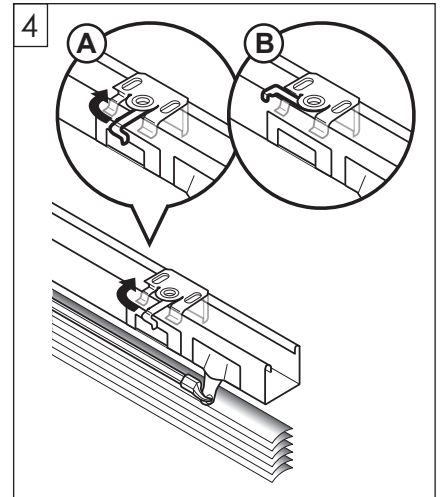
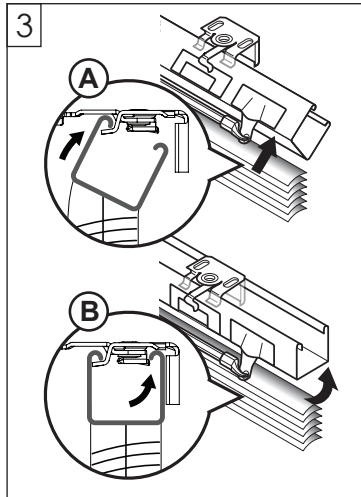
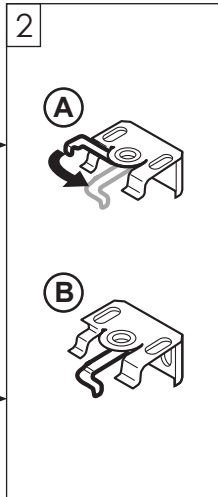
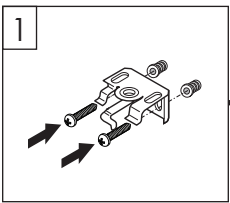
1001	1101
1201	1204
1221	1301
1304	1305
1321	1401

ASSEMBLY

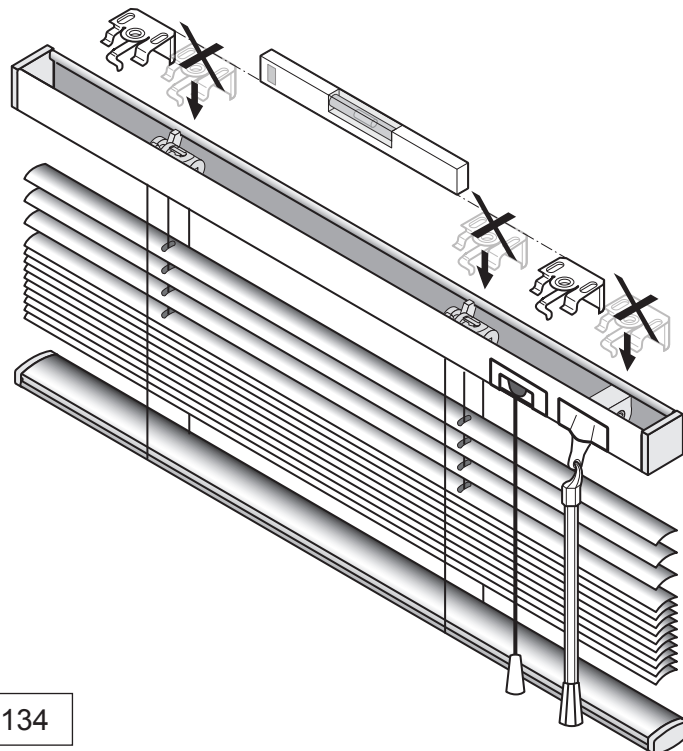
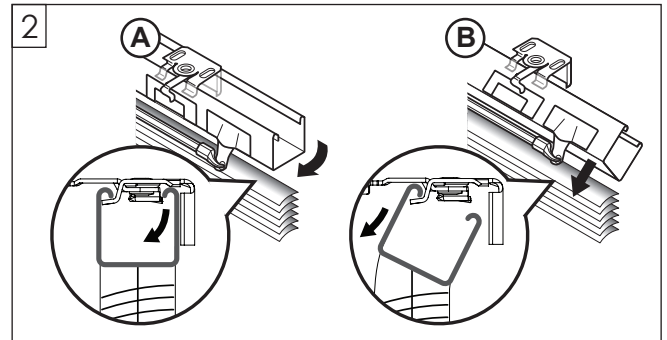
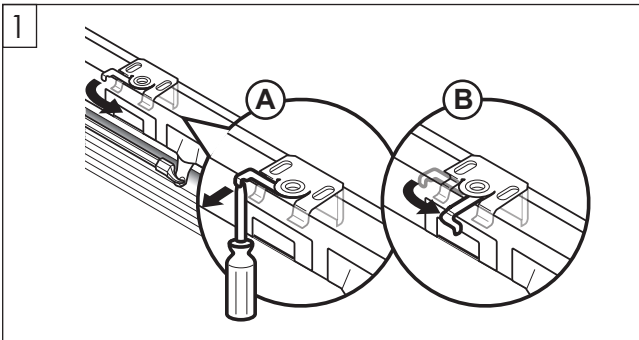
CEILING



WALL



DISASSEMBLY



VER. 1

CODE NUMBER:7408134